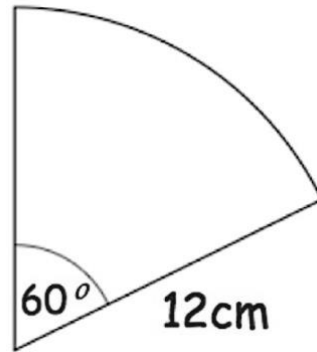


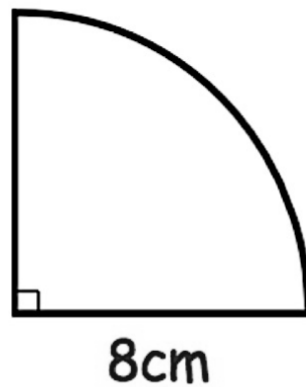


Arcs & Sectors - Questions

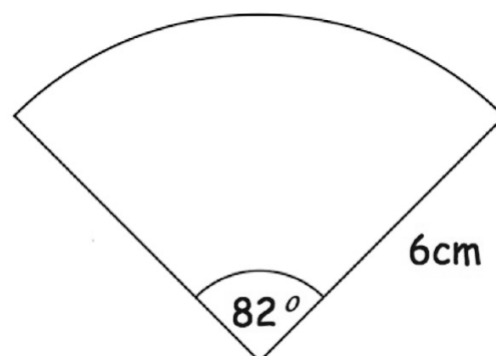
Q1) Find the length of the arc, giving your answer to 2 decimal places.



Q2) Calculate the perimeter of the sector, giving your answer to 2 decimal places.

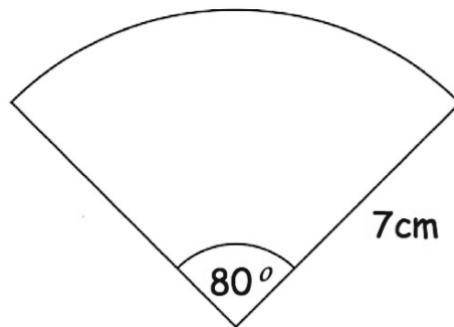


Q3) Calculate the length of the arc, giving your answer to 2 decimal places.

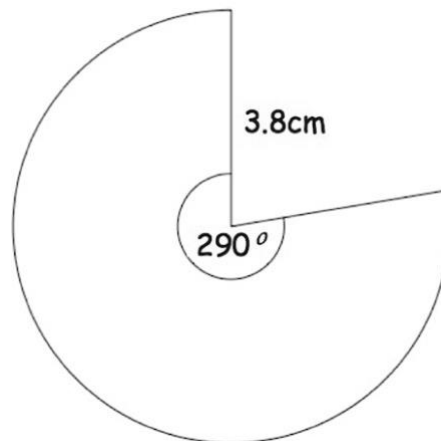




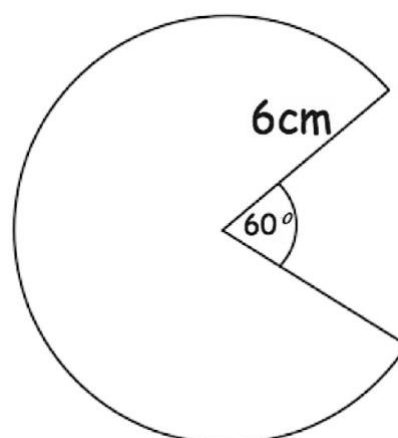
Q4) Calculate the area of the sector, giving your answer to 2 decimal places.



Q5) Work out the area of the major sector, giving your answer to 2 decimal places.



Q6) The diagram shows the major sector of a circle.



Find the area of the major sector, giving your answer to 2 decimal places.



Arcs & Sectors – Solutions

Q1) Arc Length = 12.57 cm

Q2) Arc Length = 28.57 cm

Q3) Arc Length = 8.58 cm

Q4) Sector Area = 34.21 cm^2

Q5) Sector Area = 36.54 cm^2

Q6) Sector Area = 18.84 cm^2